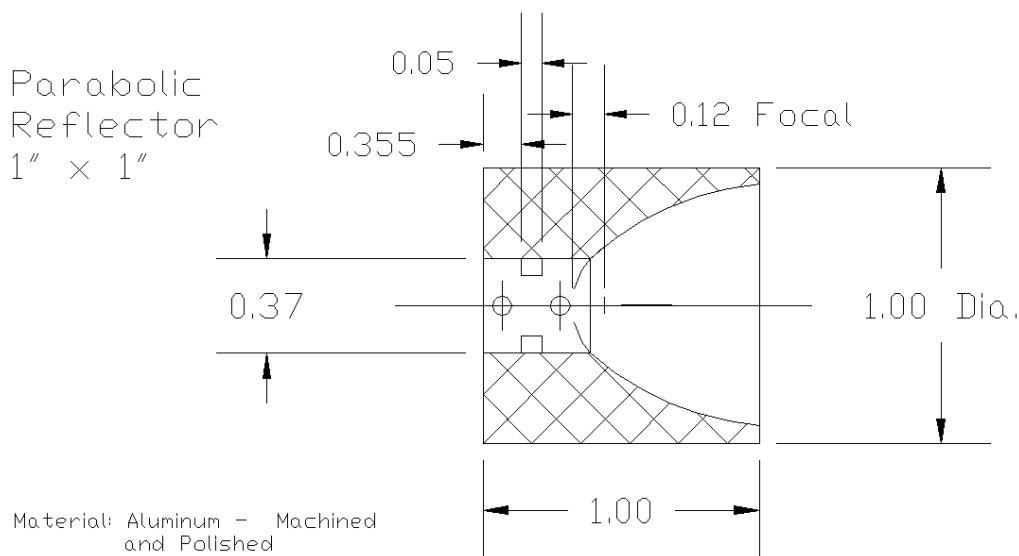
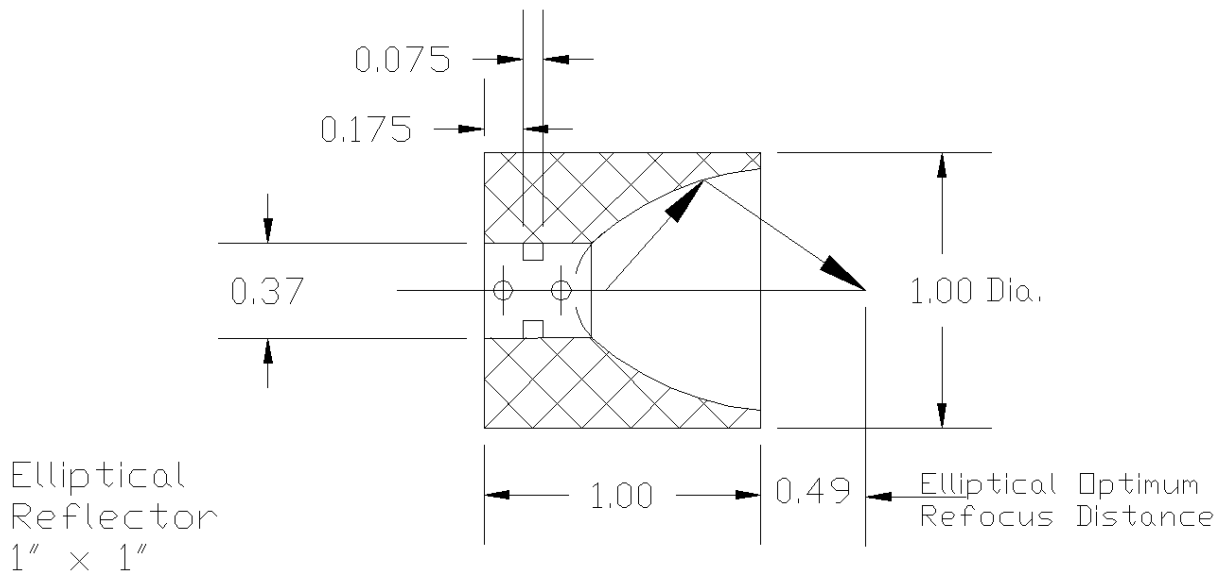


Parabolic and Elliptical Reflectors For IR-12 and IR-2x series

p/n MC-233 is Elliptical
p/n MC-234 is Parabolic



Material: Aluminum - Machined and Polished