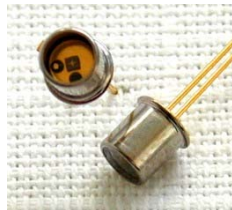


General Features



Properties of the SG01L-18 UV photodiode

- Broad Band UVA+UVB+UVC photodiode
- Active Area A = 0,96 mm²
- TO18 hermetically sealed metal housing
- 10μW/cm² peak radiation results a current of approx. 12nA

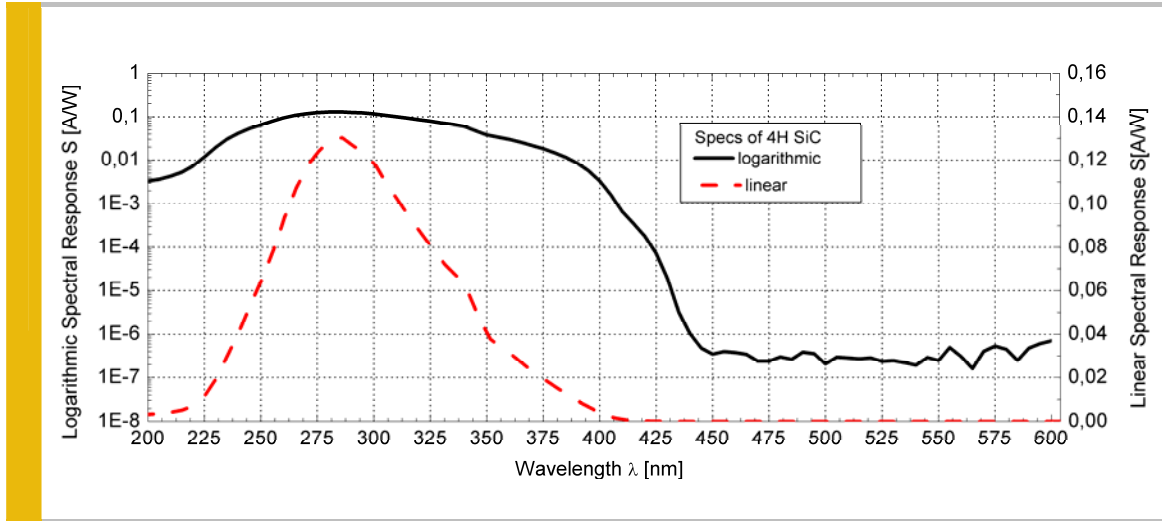
About the material Silicon Carbide (SiC)

The material SiC provides unique properties looking at visible blindness, speed and noise. A high long term radiation hardness for radiation intensities up to 1000 W/m² is given. These features make SiC the best currently available material for visible blind semiconductor UV detectors. Some SiC detectors (our HT-series) can be permanently operated at T=170°C where the temperature coefficient is only <0,1%/K. Because of the low dark current in the fA range also very low radiation intensities can be reliably measured. Please note that this needs suited amplifier circuit (please refer to page 2 and 3 of this datasheet). SiC photodiodes are available as non-filtered broad band devices or with filters e.g. providing an UVA-, UVB-, or UVC-only sensitivity or an erythema-curve compliance.

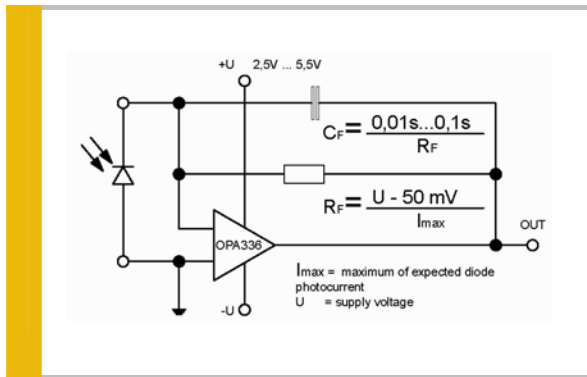
Specifications

Parameter	Symbol	Value	Unit
Maximum Ratings			
Operating Temperature Range	T _{opt}	-25 ... +70	°C
Storage Temperature Range	T _{stor}	0 ... +100	°C
Soldering Temperature (3s)	T _{sold}	260	°C
Reverse voltage	V _{Rmax}	20	V
General Characteristics (T=25°C)			
Active Area	A	0,96	mm ²
Dark current (1V reverse bias)	I _d	5	fA
Capacitance	C	200	pF
Short circuit (10μW/cm ² at peak)	I ₀	12	nA
Temperature coefficient	Tc	<-0,1	%/K
Spectral Characteristics (T=25°C)			
Max. spectral sensitivity	S _{max}	0,130	AW ⁻¹
Wavelength of max. spectral sens.	λ _{max}	285	nm
Sensitivity range (S=0,1*S _{max})	-	210 ... 380	nm
Visible blindness (S _{max} / S _{>400nm})	VB	10 ⁵	-

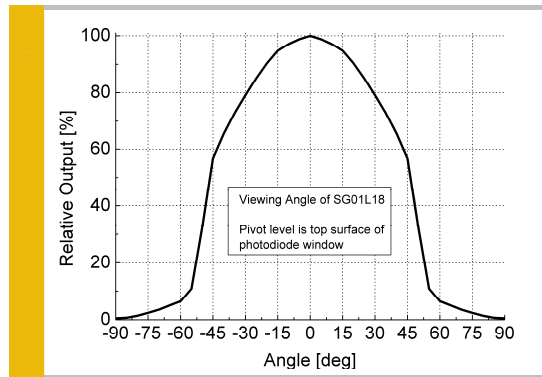
Spectral Response



Circuit



Viewing Angle



Drawing

