
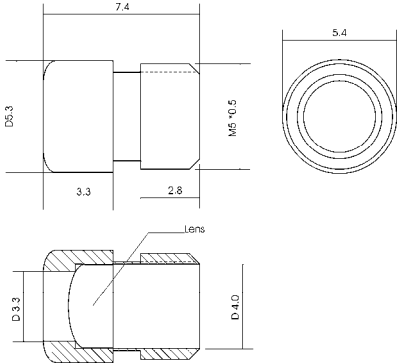




Distributed by **Boston Electronics Corporation**
 91 Boylston St, Brookline, MA 02445 USA
 (617)566-3821 or (800)347-5445 ** fax (617)731-0935
irsouce@boselec.com www.boselec.com

Specifications (T=22 °C)			
Optically Immersed 5.4 μm LED in heat-sink optimized housing			LED54SC
Peak wavelength	λ	μm	5.4±0.1
Spectral width FWHM		μm	0.60±0.05
Current test conditions:	Pulse duration	τ	≤10
	Pulse period	T	≥1000
Voltage at drive current I=1 A	U_{pulse}	V	0.4 to 0.7
Pulsed power at I=1 A	P_{pulse}	μW	≥25
CW power at I=200 mA (attached to a heatsink)	P_{CW}	μW	≥5
Switching time	τ	ns	≤20

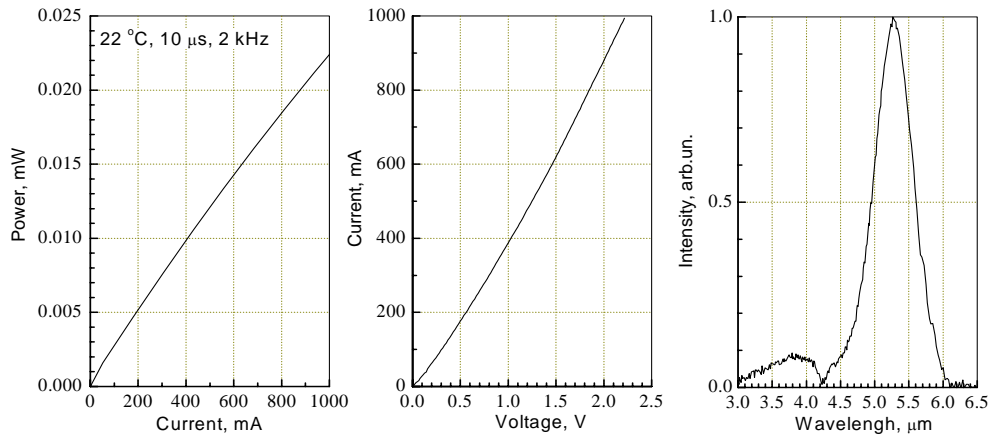
Package detail						
Package code	Thread	Emission size	Far-field pattern FWHM	Far-field pattern deviation	Operation (storage) conditions	Polarity
		mm	deg.	deg.	°C	
Screw	M5×0.5	∅ 3.2	≤40	±10	-25 to +60 (+80)	short wire or black point is negative

Package photo		 <p>M5 thread on OD</p>
---------------	---	---

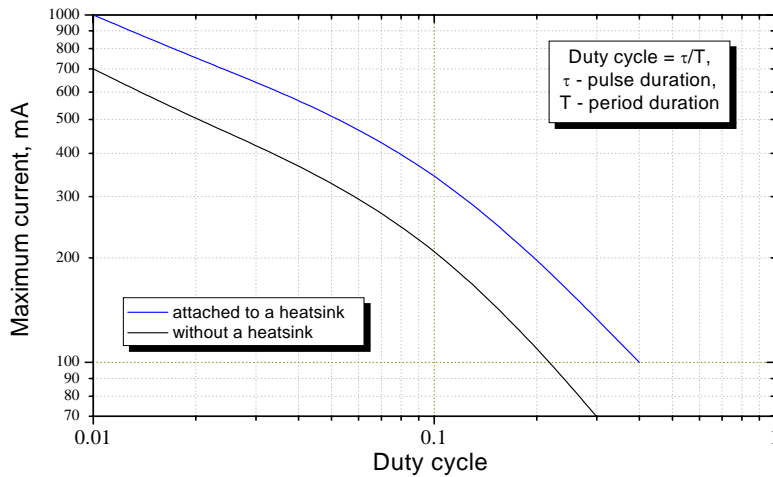
Available accessories include driver electronics and detectors.

Available wavelengths include 3.0, 3.4, 3.6, 4.2, 4.7 and 5.4 μm.

Current-voltage curve, current dependences of the output power and emission spectrum at 22 °C.



Maximal current vs. operation conditions



Output power and emission spectra maximum vs. temperature and far-field pattern

