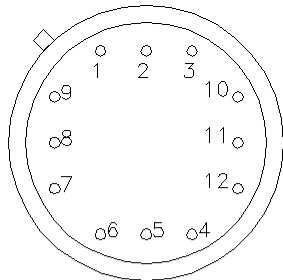


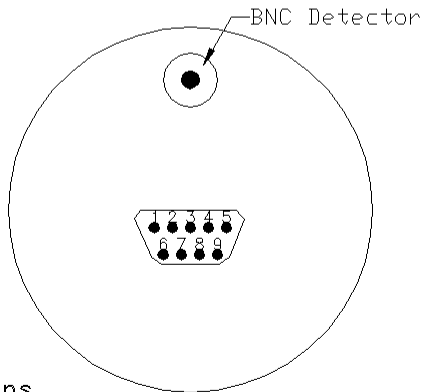
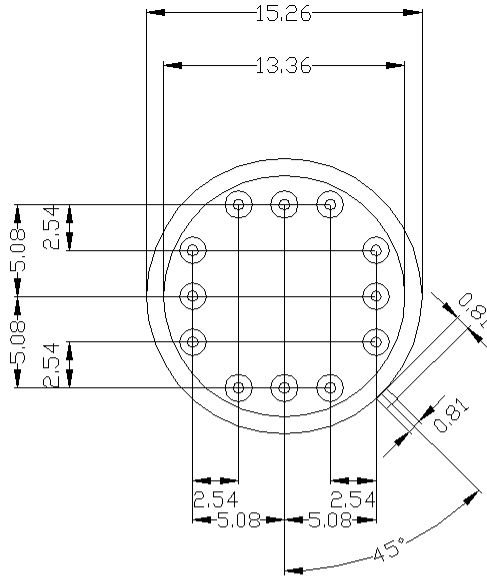


Pin Connections

TE-cooled HgCdTe in TO-8 BNC Socket

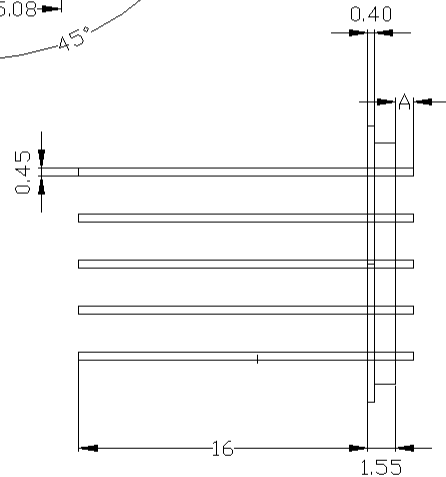


- 1 - Detector (+)
 - 2 - TE Cooler (+)
 - 3 - Detector (-)
 - 4 - Thermistor
 - 5 - TE Cooler (-)
 - 6 - Thermistor
 - 7 - Not in use
 - 8 - Ground
- (BOLT-DOWN ONLY)
- 9 - Ground
- (ALL OTHER)
- 10 - Not in use
 - 11 - Not in use
 - 12 - Not in use



BNC Pins

- 1 - Therm. cooler (+)
- 2 - Therm. cooler (-)
- 3 - Not in use
- 4 - Thermistor
- 5 - Thermistor
- 6 - Not in use
- 7 - Case
- 8 - Not in use
- 9 - Not in use



Electrovac No.: D0613700
 A: 1
 Base Material: Ni-Fe-Co
 Pins Material: Ni-Fe-Co

