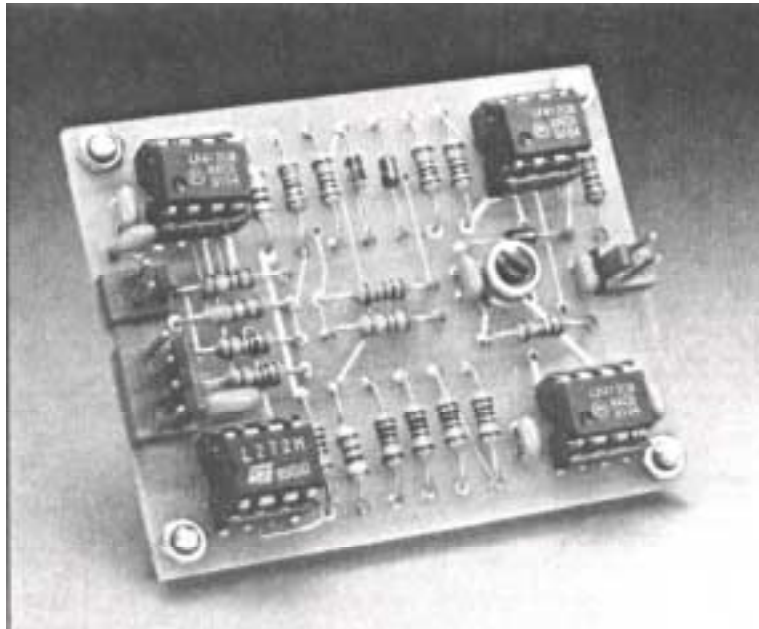




Type ED Driver Drive Electronics Driver



CONFIGURATION

The ED Driver, for driving SC Type Scanners and CH Type Choppers, is available as:

Model ED-110/220: A cased driver, 3.25" x 2.12" x 1.12", operating from a line voltage of 110V AC or 220V AC (ED-110 or ED-220).

A board level driver requiring an external 12V to 15V DC power supply is available in the following configurations:

Model ED-M: A PC board mounted on standoffs

Model ED-P: A PC board used as a plug-in assembly

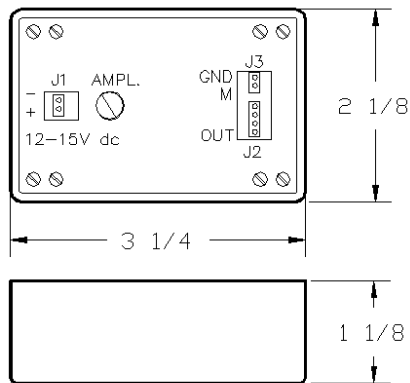
SPECIFICATIONS

Input Power	12V to 15V DC, 150mA max.	
Frequency Range	5Hz to 20kHz	
Monitor Output	A square wave reference output signal at J3 pin 1 (ED-110/220: pin M)	
Amplitude Control	Adjustable over a range of 5:1 min.	
Connectors	J1-Molex, power in	P/N 22-23-2021
	J2-Molex, I/O	P/N 22-23-2041
	J3-Molex, monitor	P/N 22-23-2021

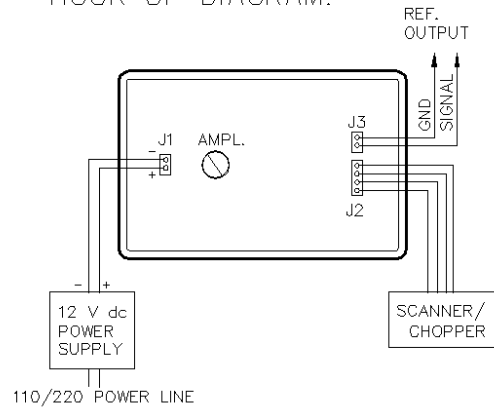


DRIVE ELECTRONICS TYPE ED-110/220

DIMENSIONS:

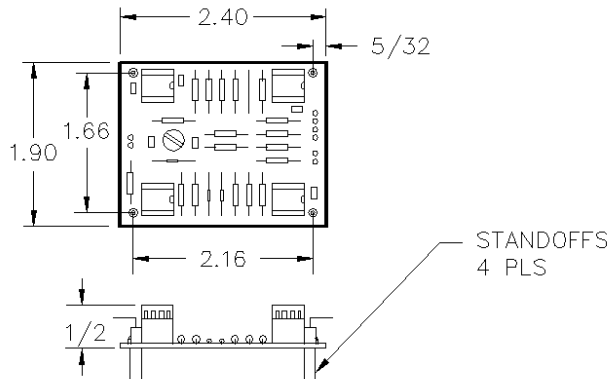


HOOK UP DIAGRAM:

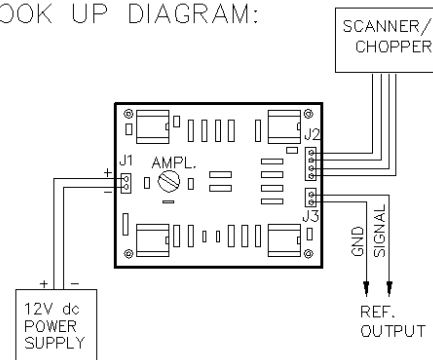


DRIVE ELECTRONICS TYPE ED-M

DIMENSIONS:

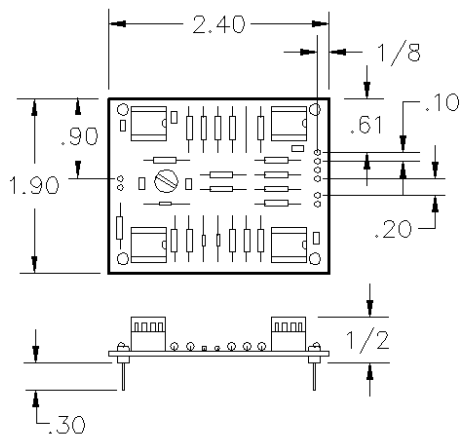


HOOK UP DIAGRAM:

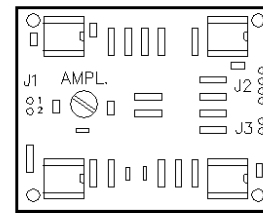


DRIVE ELECTRONICS TYPE ED-P

DIMENSIONS:



PINOUTS:



CONNECTOR J1	CONNECTOR J2	CONNECTOR J3
1 +12 V dc	1 DRIVE (G)	1 MONITOR
2 GND	2 P.U. (W)	2 GND
	3 P.U. RETURN (B)	
	4 DRIVE RETURN (R)	

DIMENSIONS ARE IN INCHES
METRIC MOUNTING OPTIONAL

